

OPERATOR'S MANUAL

Parts List and Warranty



For TruFlow™ Topdressers
36D/54D Series - Belt Drive Models

 ***Earth&Turf Products, LLC***

TruFlow™ 36D/54D Series

LIMITED WARRANTY

Earth & Turf Products, LLC warrants to the original Purchaser, all Earth & Turf products, manufactured by it, to be free from defects in both material and workmanship under normal use and service.

Earth & Turf Products, LLC obligation under this Warranty shall be limited to replacement or repair of any parts thereof, free of charge to the original Purchaser, at its place of business, provided, however, that the part(s) to be replaced or repaired, shall **within 2 years** after delivery to the original Purchaser, be demonstrated to be defective: which determination shall be made by Company.

The said components or parts must be returned through the Selling dealer or distributor directly to the Company with all transportation charges prepaid.

Notice of defects shall be furnished in writing to the Seller and to the agent through whom the machinery was received, disclosing in full all known defects and failure in operation and use, and reasonable time shall be given to the Seller to remedy any such defects and failures.

Failure to make such trial or to give such notice shall be deemed an *absolute acceptance* by the Buyer and *satisfaction in full* of this Limited Warranty.

Under no circumstances does this warranty cover normal wear of any parts, components or material which, in the opinion of the Seller and the Company, have been subjected to neglect, misuse, alteration, accident, or if repaired, with parts other than those manufactured by and obtained from **Earth & Turf Products, LLC**.

This Warranty does not cover components which are already covered by a separate Warranty provided by the supplier of said parts or components.

Earth & Turf Products, LLC's obligation under this Warranty is limited to repair or replacement, free of charge to the original Purchaser, of any part which in the judgement of the Company is defective.

THIS WARRANTY IS MADE EXPRESSLY IN LIEU OF ALL OTHER WARRANTIES, EXPRESSED OR IMPLIED, INCLUDING ANY WARRANTY OF MERCHANTABILITY AND FITNESS FOR USE AND PURPOSE AND OF ALL OTHER OBLIGATIONS OR LIABILITIES ON ITS PART AND ANY IMPLIED PERSON TO ASSUME FOR IT, ANY OTHER LIABILITY IN CONNECTION WITH A SALE OF THESE PRODUCTS.

THIS WARRANTY SHALL NOT APPLY TO THESE PRODUCTS OR TO ANY PART THEREOF WHICH HAS BEEN SUBJECT TO ACCIDENT, NEGLIGENCE, ALTERATION, ABUSE OR MISUSE.

- The Company makes no warranty whatsoever in respect to accessories or parts not supplied by the Company.

The term "original Purchaser", as used in this Warranty, shall be deemed to mean that person for whom the product is originally supplied.

- The Company, under this Warranty, cannot guarantee that existing conditions beyond its control will not affect its ability to obtain materials or manufacture necessary replacement parts.

- The Company reserves the right to make design changes, or specifications at anytime, without any contingent obligation on its parts to purchasers of machines and parts previously sold.

No one is authorized to alter, modify or change the terms of this Warranty in any manner.

- The Company warrants the Construction of the equipment sold herein and will replace it at its expense for a period of 2 years from the date hereof, any parts which prove defective as determined under the terms of this Limited Warranty.

- This Warranty shall apply only within the boundaries of the continental United States.

TruFlow™ 36D/54D Series

INSTRUCTIONS

IMPORTANT SAFETY PRECAUTIONS

CAUTION!!!

■ **Operator must read before using unit.**

- 1 **KEEP HANDS AWAY** from any moving parts of the spreader during operations.
- 2 **NEVER** run spreader unless all guards are securely tightened in proper position.
- 3 **NEVER** repair any parts or make any adjustments while machine is in motion.
- 4 **NEVER** wear loose clothing around any moving parts of the machine.
- 5 **NEVER** allow anyone to ride spreader.
- 6 **WHENEVER SERVICING UNIT**, be sure to disconnect unit from battery

● **Failure to heed the above warnings may result in personal injury or death.**

MAINTENANCE

- 1 **Wheel bearings** require frequent lubrication. A grease zerk is located on each wheel hub.
Maintenance Interval - with each use.
 - 2 **Drive chain** tightness must be checked regularly. To adjust: remove 2 bolts on the chain cover and remove cover. Chain should be tightened so that the chain deflection does not exceed $\frac{5}{8}$ ". Replace chain and belt covers before operating.
Maintenance interval - every 50 hrs of use.
 - 3 **Pivot pin** on the on/off mechanism requires a machine oil spray-type of lubrication.
Maintenance interval - once per month.
 - 4 **On/off gate mechanism and belt drive** must have correct tension to operate properly. To adjust:
 - A Unlock two nuts on the threaded rod attached to the pulley cover plate, then tighten or loosen.
 - B Adjust until on/off mechanism requires slightly more effort to disengage during the final one fourth of travel toward the off position.
 - C When gate and belt are adjusted, re-lock nuts.
- Note:** Improper tension adjustment may cause the drive belt to slip during operation, and/or allow the inadvertent engagement of spreader drive system.
Maintenance interval - seasonally/as needed.

OPERATION

- 1 **Hook up** to tractor via draw pin with safety clip.
 - 2 **Bring rope pull** forward to tractor seat.
 - 3 **Engage or disengage** the unit's drive by pulling on one side or the other of the rope pull.
 - 4 **Always disengage** spreader unit while filling by making sure the rope pull is in the **off position**.
 - 5 **Fill with material** - then move unit to work area.
 - 6 **Begin spreading** by pulling rope to **on position**. To insure a feathered lead edge to topdressing, engage the spreader drive while unit is in motion.
 - 7 **Adjust the metering gate** to desired setting by turning the *adjustment wings* on both sides of the spreader. Turn adjustment wings **clockwise** to close the gate, turn **counterclockwise** to open. The depth of spreadable material can be adjusted from approximately 1/16" to 3/4" in thickness.
 - 8 **Adjust the metering gate spring pressure.**
To adjust:
 - A Unlock two nuts on the threaded rod beneath the springs, then tighten or loosen as required.
 - B When gate has correct tension, re-lock nuts.
- Note:** Insufficient tension may allow material to force the flow gate open, keeping it from returning to its original setting. Excess tension may not allow variable sized particles to pass through.

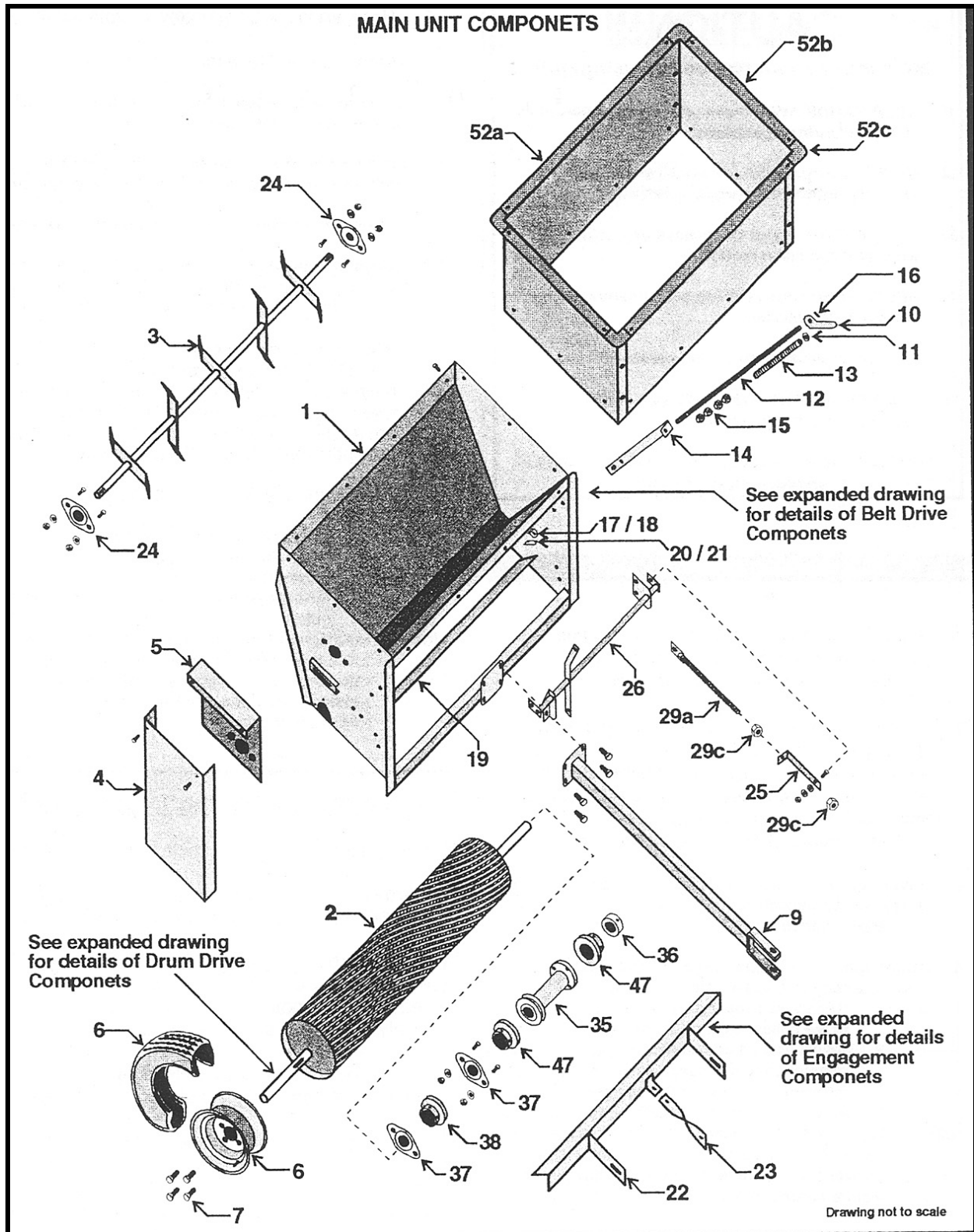
Important Operating Information

- Clean spreader completely after each use.
- Always use caution when backing to avoid contact between tractor tire and spreader.
- All topdressing material being run through the spreader unit must be at or below the required 20% moisture level in order to flow freely and avoid bridging the feed opening.
- To increase the service life of spreader unit, material should never be stored in spreader.
- When towing the spreader while empty, wear can be reduced on the axle bearings by towing the unit in the **on position**.

TruFlow™ 36D/54D Series

PARTS BREAKOUT

All part listings represent units manufactured after 4/20/98



TruFlow™ 36D/54D Series

PARTS LISTING

All part listings represent units manufactured after 4/20/98

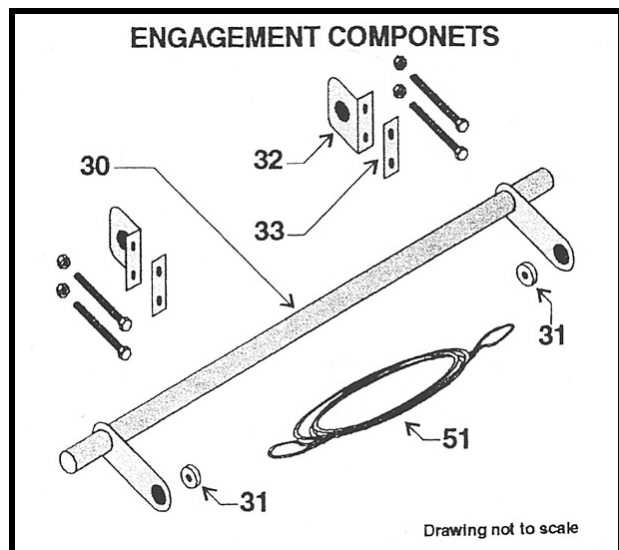
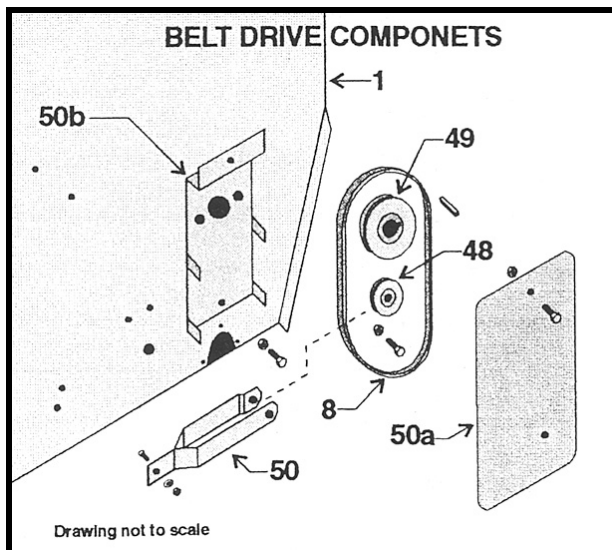
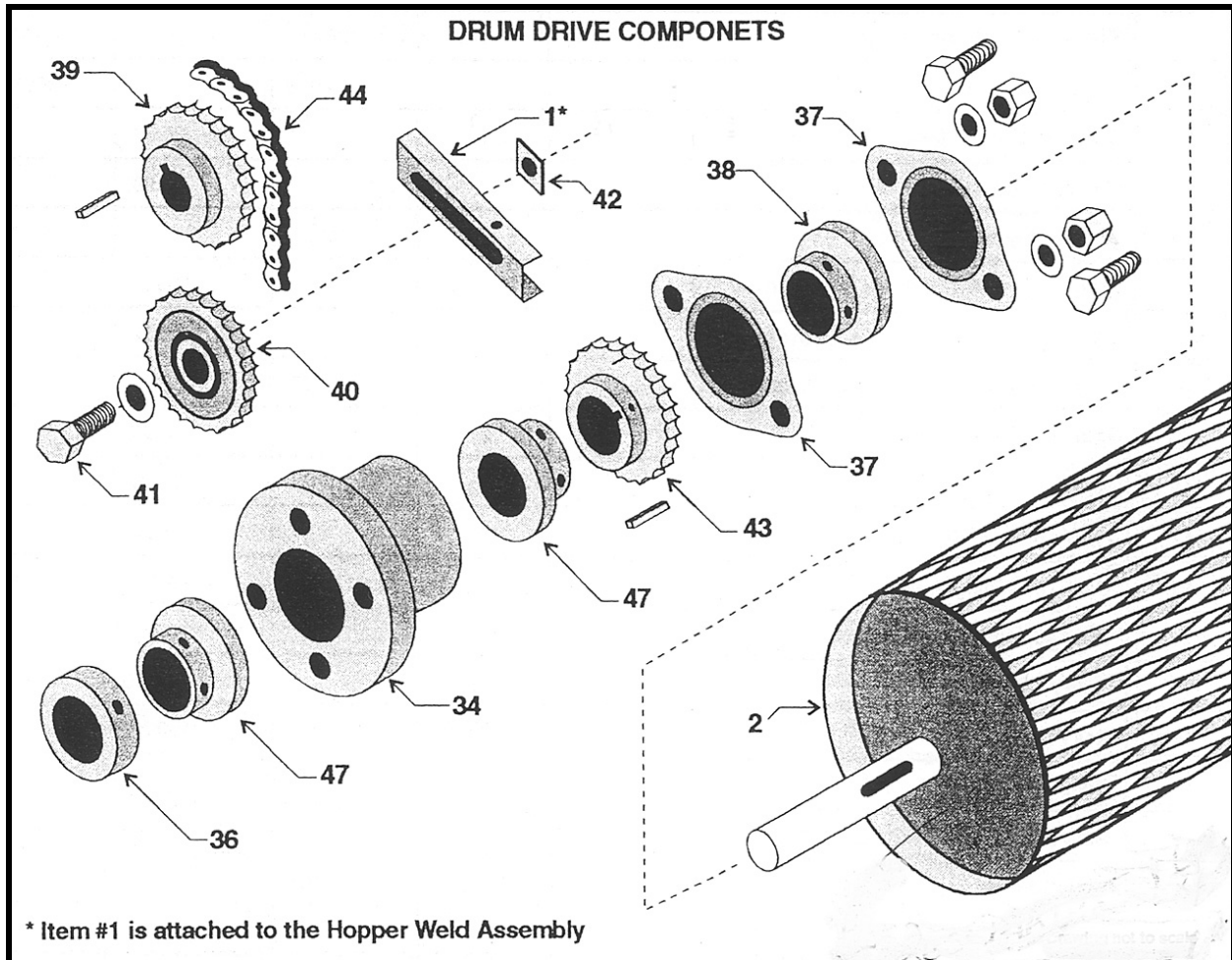
Item #	Description	Quantity	36 Part #	Common #	54 Part #
1	Hopper Weld Assembly 15-Bolts, Nuts	1	20001		20002
2	Dispersal Drum Assembly	1	20003		20004
3	Agitator	1	20005		20006
4	Chain Shield 2-Bolts	1		20007	
5	Chain Shield Bracket	1		20008	
6	Wheel/Tire Assembly	2	10001		10002
7	Wheel Bolt	8		10003	
8	Clutch Belt	1		10004	
9	Tongue 4-Bolts, Lock Washers, Nuts	1	20009		20010
10	Gate Adjustment Wing	2		10005	
11	Washer	2		10006	
12	Gate Adjusting Rod	2		10007	
13	Gate Tensioning Spring	2		10008	
14	Gate Adjusting Bracket 4-Bolts, Nuts	2		10009	
15	Gate Adjusting Nut	8		10010	
16	Roll Pin	2		10011	
17	Gate Retainer - Left 1-Bolt, Nut	1		20011	
18	Gate Retainer - Right 1-Bolt, Nut	1		20012	
19	Metering Gate	1	20013		20014
20	Hopper Shutoff Guide - Left 2-Bolts, Nuts	1		20015	
21	Hopper Shutoff Guide - Right 2-Bolts, Nuts	1		20016	
22	Hopper Shutoff	1	20017		20018
23	Shutoff Link 2-Bolts, Nuts	1		20019	
24	Agitators Bearing Assembly 4-Bolts, Lock Washers, Nuts, Allen Set Screws	2		10012	
25	Idler Pulley Bracket Link 1-Bolt, Lock Nut, 2-Washers	1		20020	
26	Shutoff/Engagement Linkage Assembly 2-Bolts, Nuts	1		20021	
29a	Idler Pulley Shaft	1		20022	
29c	Clutch Adjustment Nut	2		20023	
30	Shutoff Rocker Shaft	1		20024	

WHEN ORDERING PARTS: Be ready to provide Item Numbers, Part Numbers, and Serial Number of the machine.

TruFlow™ 36D/54D Series

PARTS BREAKOUT

All part listings represent units manufactured after 4/20/98



TruFlow™ 36D/54D Series

PARTS LISTING

All part listings represent units manufactured after 4/20/98

Item #	Description	Quantity	36 Part #	Common #	54 Part #
31	Rocker Bushing 2-Bolts, Lock Nuts, 4-Washers	2		20025	
32	Rocker Shaft Bracket 4-Bolts, Nuts	2		20026	
33	Rocker Keeper	2		20027	
34	Wheel Hub - Left	1		20028	
35	Wheel Hub - Right	1		20029	
36	Set Collar 2-Allen Set Screws	2		10013	
37	Bearing Flange 4-Bolts, Lock Washers, Nuts	4		10014	
38	Bearing 4-Allen Set Screws	2		10015	
39	Agitator Sprocket 1-Key, 1-Allen Set Screw	1		10016	
40	Chain Idler Sprocket	1		10017	
41	Idler Bolt 1-Washer	1		10018	
42	Idler Bolt Keeper	1		10019	
43	Roller Drive Sprocket 1-Key, 1-Allen Set Screw	1		10020	
44	Drive Chain	1		20030	
47	Wheel Hub Bearing 8-Allen Set Screws	4		10021	
48	Clutch Idler Pulley 1 Bolt, Nut	1		10022	
49	Agitator Pulley 1-Key, 1-Allen Set Screw	1		10023	
50	Clutch Idler Pulley Bracket 1-Bolt, Washer, Lock Nut	1		20031	
50a	Clutch Shield 1-Bolt, Nut	1		20032	
50b	Clutch Shield Bracket 1-Bolt, Nut	1		20033	
51	Rope	1		20034	
52a	Hopper Side Panel	2	20035		20036
52b	Hopper End Panel 8-Bolts, Nuts	2		20037	
52c	Hopper Corner 8-Bolts, Nuts	4		20038	
53	Hopper Extension/Optional (Not shown in parts drawing)	1	20039	20041	20040

WHEN ORDERING PARTS: Be ready to provide Item Numbers, Part Numbers, and Serial Number of the machine.

OPERATOR'S MANUAL



112 South Railroad Avenue
New Holland, PA 17557 U.S.A.
Tel 717 • 355 • 2276
Fax 877 • 243 • 2442

**TOLL FREE
Service Hot Line
1 • 888 • My • E • and • T
(1 • 888 • 693 • 2638)**

***Earth & Turf** is a company dedicated to developing new, innovative equipment that delivers greater productivity.*

We achieve this by solving everyday, real-world problems.

***Earth & Turf** is continually striving to improve its designs, products and services.*

We reserve the right to make improvements or changes when it becomes practical and possible to do so, without incurring any obligation to make changes or additions to previously sold equipment.